

# WORK Chair



Design  
Manufacture  
Create



WORK is all about seating support and comfort. The WORK task chair offer excellent value and ergonomic performance and easy add-on component to fit every user needs. It offers a sleek and minimal design at your workspace, providing you basic support for your daily office tasks.

### Features

- Angle, Height, Depth & Adjustable Armrest
- Head Adjustable Backrest

### Options

- Height Adjustable Headrest and Lumbar Support
- Fixed or 3-way Armrest
- Studio or Cantilever Base

### Colours

- Stock Black.
- Seat colours options on request.

### Dimensions

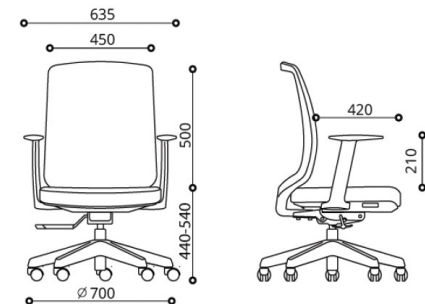
- Swivel with no headrest shown.

### Certifications

- BIFMA

### Warranty

- 5 year warranty



## OPERATING INSTRUCTIONS

### 1. Backrest

Nylon plastic back frame with breathable mesh for enhanced comfort.

### 2. Lumbar Support

Optional customizable lumbar pad for different spine shapes.

### 3. Mechanism

Weight-sensing mechanism with 3-position locking for personalized recline resistance.

### 4. Backrest

80mm height-adjustable molded polyurethane foam for optimal support.

### 5. Armrest

Fixed or adjustable armrests in recyclable black polyamide, providing multiple positioning options for added arm comfort.

### 6. Base

Durable polypropylene base with 50mm dual-wheel castors for smooth mobility.



## Get In Touch

### Sydney Office:

6 - 10 Phillips Road,  
Kogarah NSW 2217

### Melbourne Office:

101 Moray Street,  
South Melbourne VIC 3205

Call 1300 362 628

Website : [www.mn8design.com](http://www.mn8design.com)

Email : [sales@mn8design.com](mailto:sales@mn8design.com)